

REPAIR PARTS MANUAL
MODEL NO. RE135B92 (96011006300)
Lawn Tractor

Rally

HOW TO USE THIS MANUAL

This manual is designed to provide the customer with a means to identify the parts on his/her tractor when ordering repair parts. The illustrations may or may not represent the actual assemblies; therefore, it is not recommended to use this manual as a guide to assemble or disassemble the tractor. Some hardware and parts are drawn larger in order to more readily identify them.

Each tractor has its own model number.

The model number for your tractor can be found on the fender under the seat.

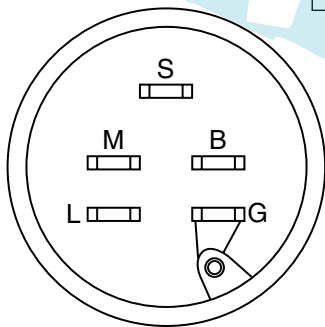
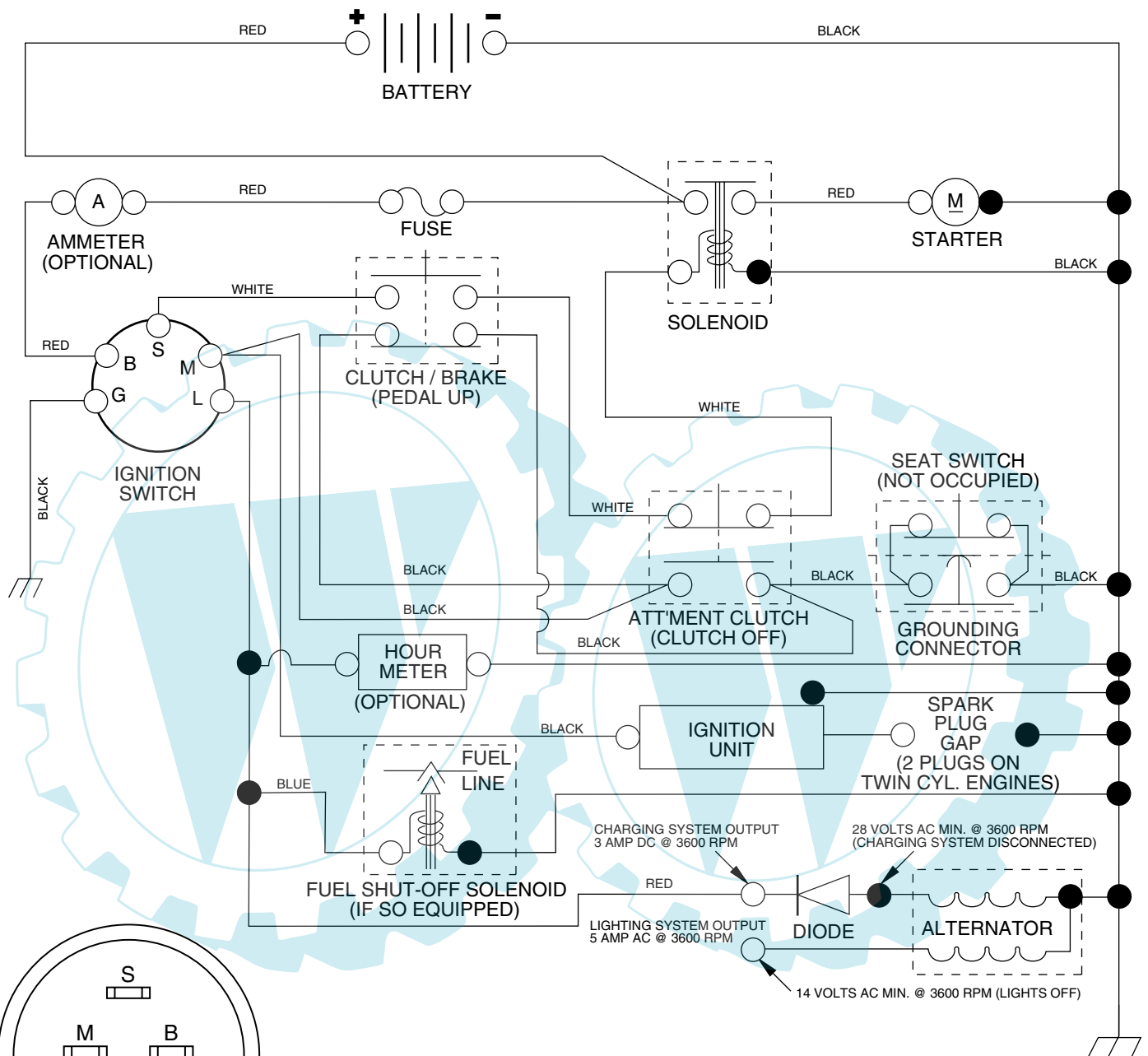
When ordering parts, always give the following information:

- Product - "Tractor"
- Model Number - "RE135B92 (96011006300)"
- Part Number
- Part Description

TABLE OF CONTENTS

| | |
|------------------|-------|
| SCHEMATIC | 3 |
| ELECTRICAL..... | 4-5 |
| CHASSIS..... | 6-7 |
| DRIVE..... | 8-9 |
| STEERING | 10-11 |
| ENGINE..... | 12-13 |
| SEAT | 14 |
| DECALS..... | 15 |
| MOWER DECK | 16-17 |
| MOWER LIFT | 18 |

**TRACTOR-MODEL NUMBER RE135B92 (96011006300), PRODUCT NO. 954 12 00-70
SCHEMATIC**



IGNITION SWITCH

| POSITION | CIRCUIT |
|----------|-----------|
| OFF | M + G |
| ON | B + L |
| START | B + S + L |

02492

WIRING INSULATED CLIPS

NOTE: IF WIRING INSULATED CLIPS WERE REMOVED FOR SERVICING OF UNIT, THEY SHOULD BE REPLACED TO PROPERLY SECURE YOUR WIRING.

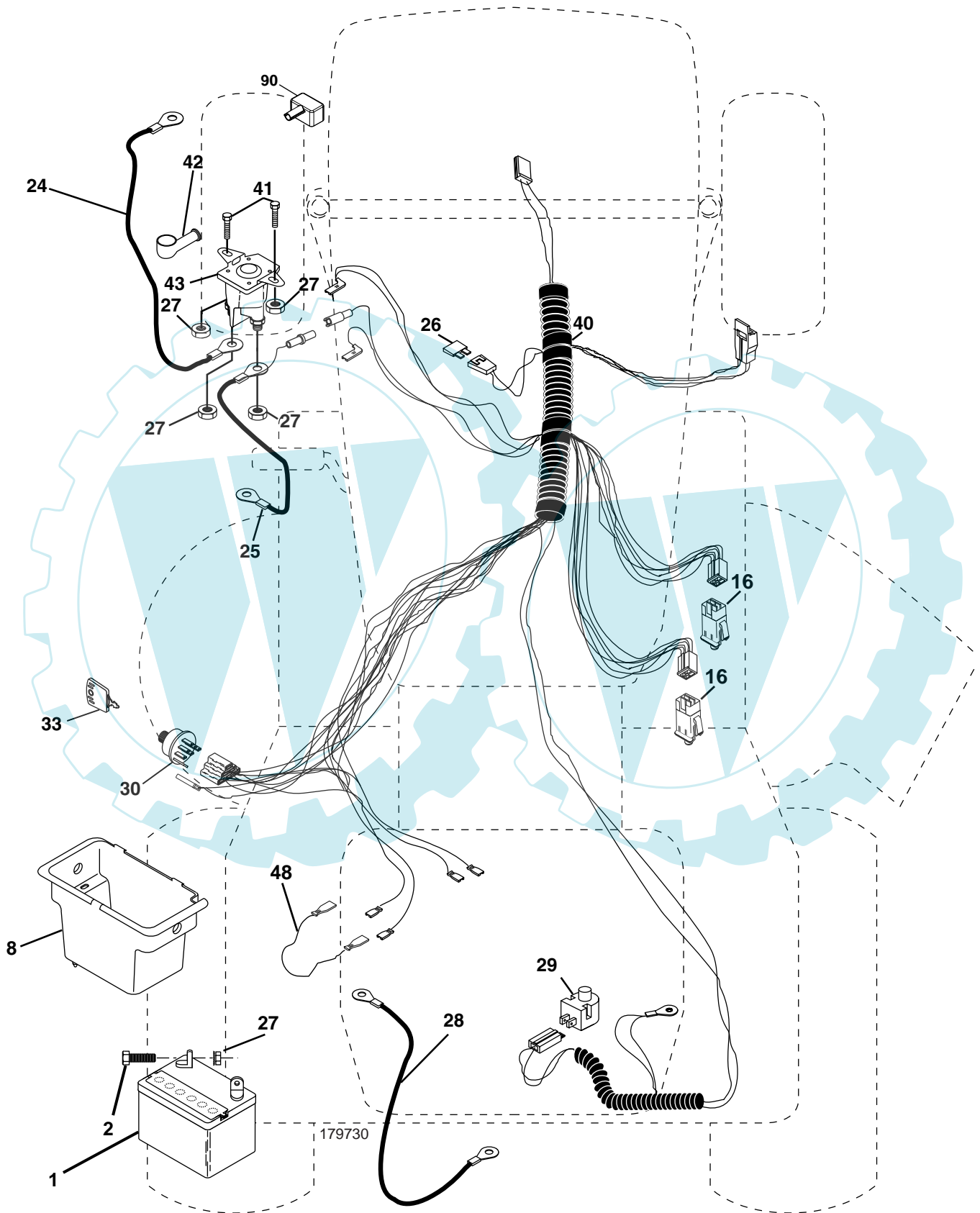
—●—
NON-REMOVABLE CONNECTIONS

—○—
REMOVABLE CONNECTIONS

REPAIR PARTS

TRACTOR-MODEL NUMBER RE135B92 (96011006300), PRODUCT NO. 954 12 00-70

ELECTRICAL



REPAIR PARTS

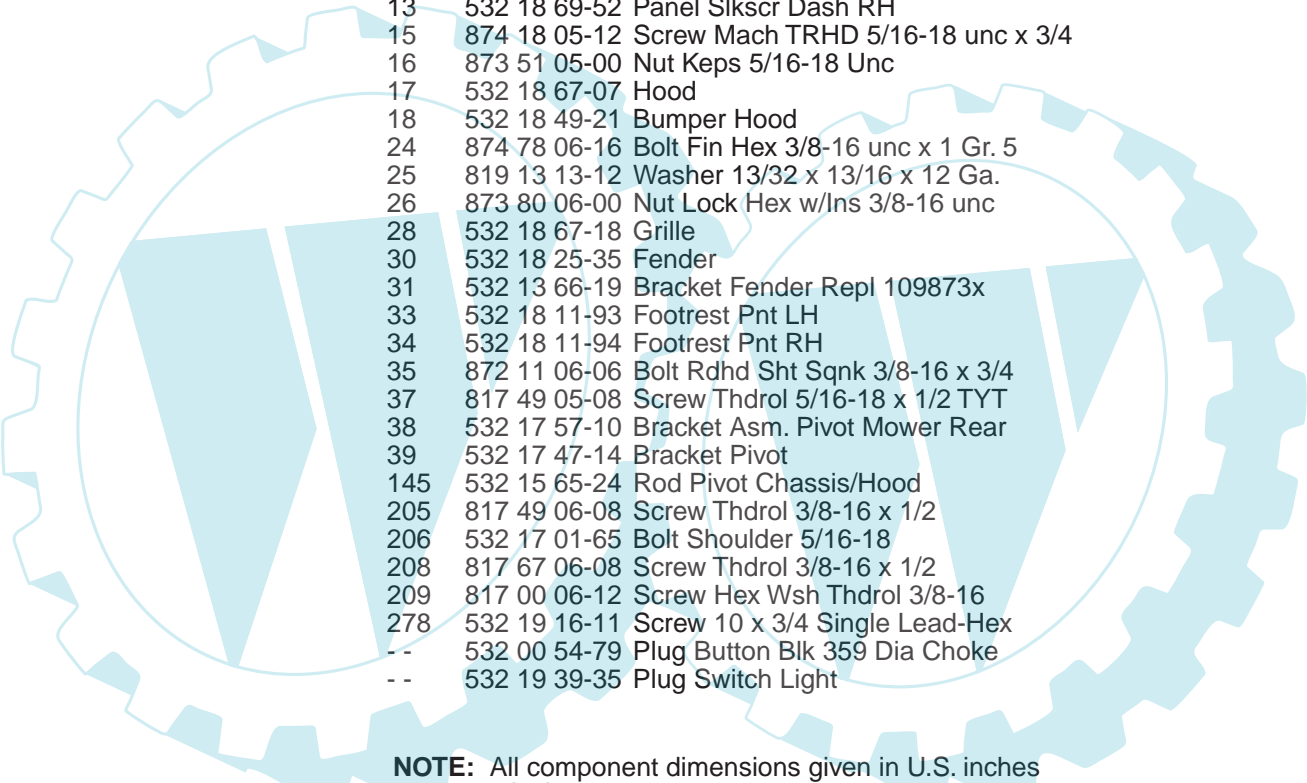
TRACTOR-MODEL NUMBER RE135B92 (96011006300), PRODUCT NO. 954 12 00-70
ELECTRICAL

| KEY NO. | PART NO. | DESCRIPTION |
|---------|--------------|------------------------------|
| 1 | 532 16 34-65 | Battery 12 Volt 25 Amp |
| 2 | 874 76 04-12 | Bolt Hex Hd 1/4-20 Unc x 3/4 |
| 8 | 532 17 66-89 | Battery Box |
| 16 | 532 17 61-38 | Switch Interlock Push-In |
| 24 | 532 12 47-80 | Cable Battery 6 Ga. 11"red |
| 25 | 532 14 61-47 | Cable Battery |
| 26 | 532 17 51-58 | Fuse |
| 27 | 873 51 04-00 | Nut Keps Hex 1/4-20 unc |
| 28 | 532 12 47-73 | Cable Ground 6 Ga. 12"black |
| 29 | 532 12 13-05 | Switch Plunger Nc Gray |
| 30 | 532 17 55-67 | Switch Ign |
| 33 | 532 14 04-01 | Key Ign |
| 40 | 532 17 97-30 | Harness Ign |
| 41 | 871 11 04-08 | Bolt Blk Fin Hex 1/4-20 |
| 42 | 532 13 15-63 | Cover Terminal Red |
| 43 | 532 17 88-61 | Solenoid |
| 48 | 532 14 08-44 | Adapter Ammeter |
| 90 | 532 18 04-49 | Cover Terminal Battery |

NOTE: All component dimensions given in U. S.
inches 1 inch = 25.4 mm.

REPAIR PARTS

TRACTOR-MODEL NUMBER RE135B92 (96011006300), PRODUCT NO. 954 12 00-70
CHASSIS AND ENCLOSURES

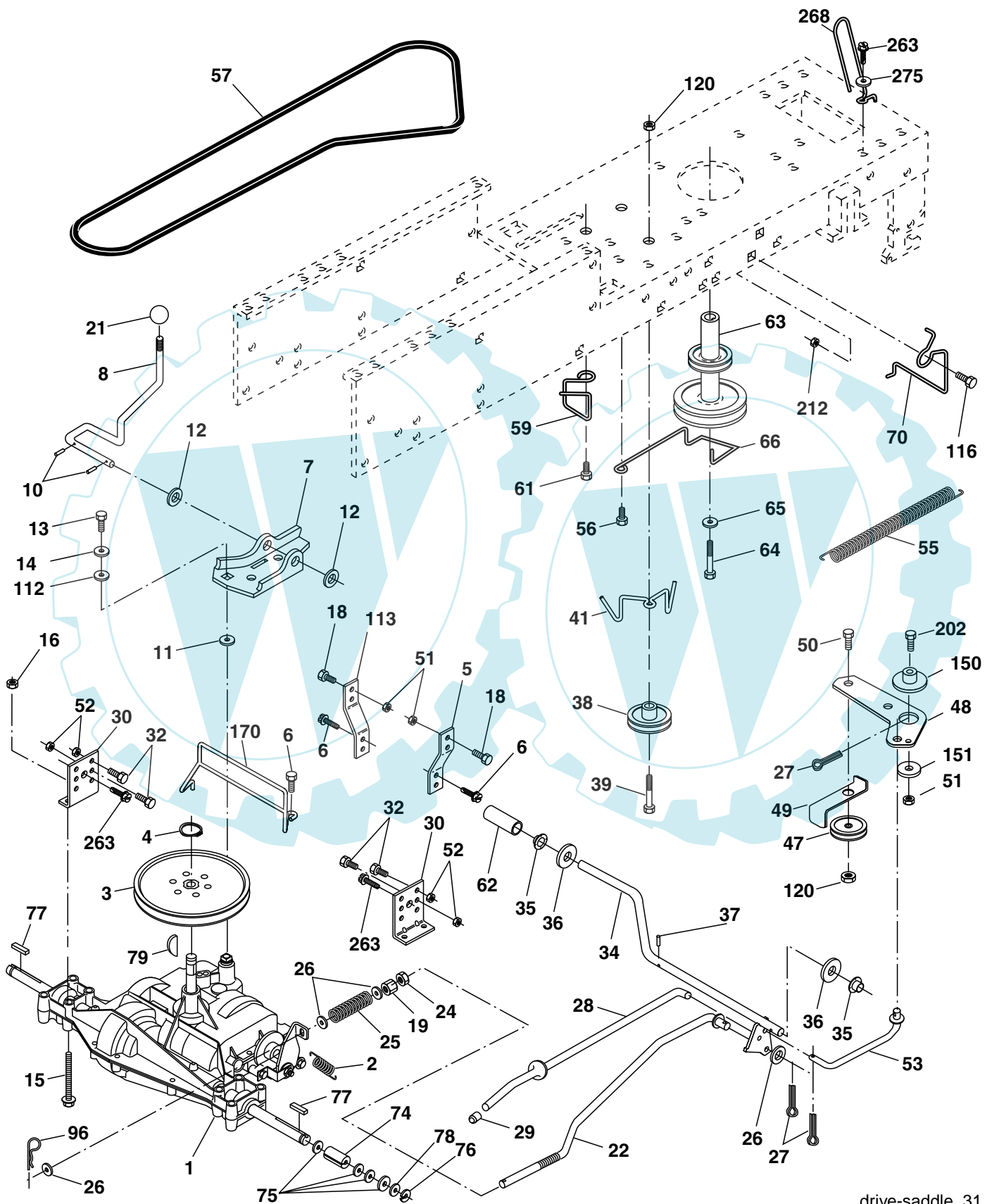


| KEY NO. | PART NO. | DESCRIPTION |
|---------|--------------|-----------------------------------|
| 1 | 532 17 46-20 | Chassis |
| 2 | 532 17 65-54 | Drawbar |
| 5 | 532 15 52-72 | Bumper, Hood/Dash |
| 6 | 532 18 25-34 | Saddle |
| 8 | 532 15 51-38 | Clip Retainer Slide-On |
| 9 | 532 19 46-88 | Dash |
| 10 | 872 14 06-08 | Bolt, Carriage 3/8-16 x 1 |
| 11 | 532 17 49-96 | Panel Dash LH |
| 13 | 532 18 69-52 | Panel Slkscr Dash RH |
| 15 | 874 18 05-12 | Screw Mach TRHD 5/16-18 unc x 3/4 |
| 16 | 873 51 05-00 | Nut Keps 5/16-18 Unc |
| 17 | 532 18 67-07 | Hood |
| 18 | 532 18 49-21 | Bumper Hood |
| 24 | 874 78 06-16 | Bolt Fin Hex 3/8-16 unc x 1 Gr. 5 |
| 25 | 819 13 13-12 | Washer 13/32 x 13/16 x 12 Ga. |
| 26 | 873 80 06-00 | Nut Lock Hex w/Ins 3/8-16 unc |
| 28 | 532 18 67-18 | Grille |
| 30 | 532 18 25-35 | Fender |
| 31 | 532 13 66-19 | Bracket Fender Repl 109873x |
| 33 | 532 18 11-93 | Footrest Pnt LH |
| 34 | 532 18 11-94 | Footrest Pnt RH |
| 35 | 872 11 06-06 | Bolt Rdhd Sht Sqnk 3/8-16 x 3/4 |
| 37 | 817 49 05-08 | Screw Thdrol 5/16-18 x 1/2 TYT |
| 38 | 532 17 57-10 | Bracket Asm. Pivot Mower Rear |
| 39 | 532 17 47-14 | Bracket Pivot |
| 145 | 532 15 65-24 | Rod Pivot Chassis/Hood |
| 205 | 817 49 06-08 | Screw Thdrol 3/8-16 x 1/2 |
| 206 | 532 17 01-65 | Bolt Shoulder 5/16-18 |
| 208 | 817 67 06-08 | Screw Thdrol 3/8-16 x 1/2 |
| 209 | 817 00 06-12 | Screw Hex Wsh Thdrol 3/8-16 |
| 278 | 532 19 16-11 | Screw 10 x 3/4 Single Lead-Hex |
| -- | 532 00 54-79 | Plug Button Blk 359 Dia Choke |
| -- | 532 19 39-35 | Plug Switch Light |

NOTE: All component dimensions given in U.S. inches
1 inch = 25.4 mm.

REPAIR PARTS

TRACTOR-MODEL NUMBER RE135B92 (96011006300), PRODUCT NO. 954 12 00-70
DRIVE



drive-saddle_31

REPAIR PARTS

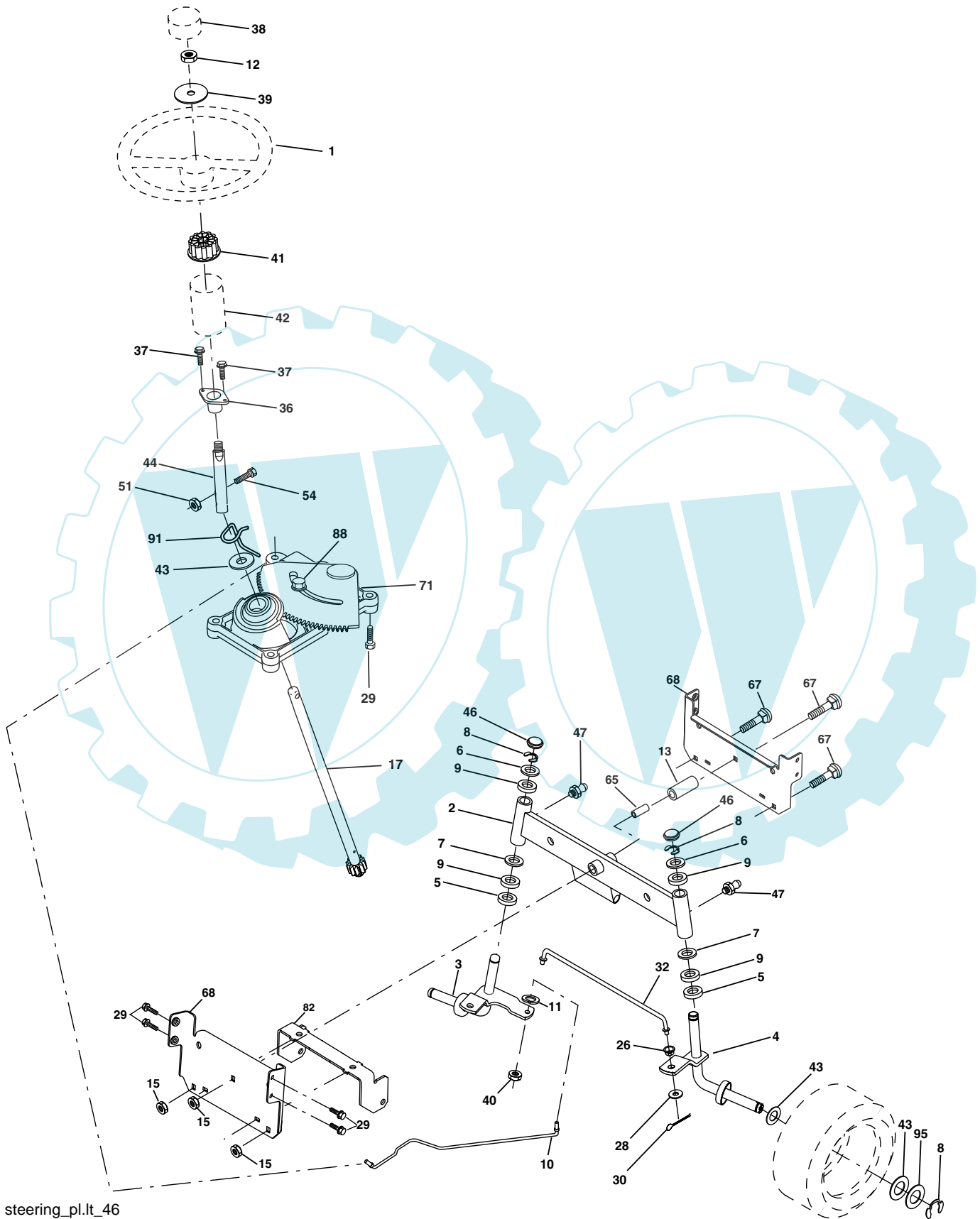
TRACTOR-MODEL NUMBER RE135B92 (96011006300), PRODUCT NO. 954 12 00-70
DRIVE

| KEY NO. | PART NO. | DESCRIPTION | KEY NO. | PART NO. | DESCRIPTION |
|---------|--------------|---|---------|--------------|-----------------------------------|
| 1 | ----- | Transaxle, Peerless 205-544C (Order parts from transaxle manufacturer) | 49 | 532 12 32-05 | Retainer Belt Style Spring |
| 2 | 532 14 66-82 | Spring Return Brake T/a Zinc | 50 | 872 11 06-12 | Bolt Carr Sh 3/8-16 x 1-1/2 Gr. 5 |
| 3 | 532 12 36-66 | Pulley Transaxle 18" tires | 51 | 873 68 06-00 | Nut Crownlock 3/8-16 Unc |
| 4 | 812 00 00-28 | Ring Retainer # 5100-62 | 52 | 873 68 05-00 | Nut Crownlock 5/16-18 Unc |
| 5 | 532 12 15-20 | Strap Torque 30 Degrees | 53 | 532 10 57-10 | Link Clutch |
| 6 | 817 00 05-12 | Screw 5/16-18 x 3/4 | 55 | 532 10 57-09 | Spring Return Clutch 6 75 |
| 7 | 532 16 22-40 | Bracket T/A Saddle Shift | 56 | 817 06 06-20 | Screw 3/8-16 x 1-1/4 |
| 8 | 532 13 16-79 | Rod Shifter | 57 | 532 13 08-01 | V-Belt Ground Drive |
| 10 | 876 02 04-16 | Pin Cotter 1/8 x 1 Cad | 59 | 532 16 96-91 | Keeper Belt Span Ctr |
| 11 | 532 10 57-01 | Washer Plate Shf 388 Sq Hole | 61 | 817 12 06-14 | Screw 3/8-16 x .875 |
| 12 | 819 15 12-16 | Washer 15/32 x 3/4 x 16 | 62 | 532 12 48-72 | Cover Pedal Blk Round |
| 13 | 874 55 04-12 | Bolt 1/4-28 Unf Gr 8 W/Patch | 63 | 532 18 02-19 | Engine Pulley |
| 14 | 810 04 04-00 | Washer Lock Hvy Helical 1/4 | 64 | 532 17 39-37 | Bolt Hex |
| 15 | 874 49 05-44 | Bolt Hex Flghd 5/16-18 Gr. 5 | 65 | 810 04 07-00 | Washer Lock Hvy Hlcl Spr 7/16 |
| 16 | 873 80 05-00 | Nut Lock Hx W/Ins 5/16-18 Unc | 66 | 532 15 47-78 | Keeper Belt Engine Foolproof |
| 18 | 874 78 06-16 | Bolt, Fin Hex 3/8-16 Unc x 1 Gr. 5 | 70 | 532 18 02-18 | Guide Belt Mower Drive RH |
| 19 | 873 80 06-00 | Nut Lock 3/8-16 Unc | 74 | 532 13 70-57 | Spacer Axle |
| 21 | 532 10 69-33 | Knob | 75 | 532 12 17-49 | Washer 25/32 x 1 1/4 x 16 Ga |
| 22 | 532 13 08-04 | Rod Brake Blk Zinc 26 840 | 76 | 812 00 00-01 | E-ring #5133-75 |
| 24 | 873 35 06-00 | Nut Hex Jam 3/8-16 Unc | 77 | 532 12 35-83 | Key Square 2 0 x 1845/ 1865 |
| 25 | 532 10 68-88 | Spring Rod Brake 2 00 Zinc | 78 | 532 12 17-48 | Washer 25/32 x 1-5/8 x 16 Ga |
| 26 | 819 13 13-16 | Washer 13/32 x 13/16 x 16 Ga | 79 | 532 12 50-96 | Key Woodruff |
| 27 | 876 02 04-12 | Pin Cotter 1/8 x 3/4 Cad | 96 | 532 12 47-88 | Retainer Spring 1" |
| 28 | 532 17 57-65 | Rod Brake Parking | 112 | 819 09 12-10 | Washer 9/32 x 3/4 x 10 Ga. |
| 29 | 532 07 16-73 | Cap Brake Parking | 113 | 532 12 72-85 | Strap Torque Lh |
| 30 | 532 17 49-73 | Bracket Mtg Transaxle | 116 | 872 14 06-08 | Bolt Rdhd Sq Neck 3/8-16 x 1.00 |
| 32 | 874 76 05-12 | Bolt Hex Hd 5/16-18unc x 3/4 | 120 | 873 90 06-00 | Nut Lock Flg 3/8-16 |
| 34 | 532 17 55-78 | Shaft Asm Pedal Foot | 150 | 532 17 54-56 | Spacer Retainer |
| 35 | 532 12 01-83 | Bearing Nylon Blk 629 Id | 151 | 819 13 32-10 | Washer 13/32 x 2 x 10 |
| 36 | 819 21 16-16 | Washer 21/32 x 1 x 16 Ga | 170 | 532 18 74-14 | Keeper Belt T/A |
| 37 | 532 12 49-63 | Pin Roll 3/16 x 1" | 202 | 872 11 06-14 | Bolt, 3/8 - 16 x 1-3/4 Gr. 5 |
| 38 | 532 17 91-14 | Pulley Idler Composite | 212 | 532 14 52-12 | Nut Flange Hex Lock |
| 39 | 872 11 06-22 | Bolt Rdhd 3/8-16 Unc x 2-3/4 Gr. 5 | 263 | 817 00 06-12 | Screw 3/8-16 x 3/4 |
| 41 | 532 17 55-56 | Keeper Belt Retainer Idler | 268 | 532 18 24-02 | Guard Muffler |
| 47 | 532 12 77-83 | Pulley Idler V Groove Plastic | 275 | 819 13 16-14 | Washer 13/32 x 1 x 14 Ga. |
| 48 | 532 15 44-07 | Bellcrank Asm | | | |

NOTE: All component dimensions given in U.S. inches
1 inch = 25.4 mm

REPAIR PARTS

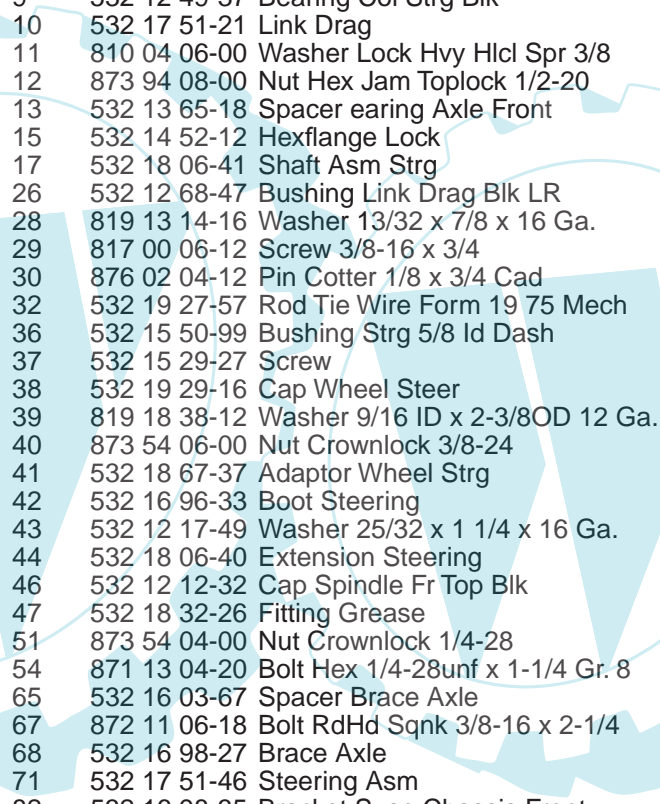
TRACTOR-MODEL NUMBER RE135B92 (96011006300), PRODUCT NO. 954 12 00-70
STEERING



steering_pl.lt_46

REPAIR PARTS

TRACTOR-MODEL NUMBER RE135B92 (96011006300), PRODUCT NO. 954 12 00-70
STEERING

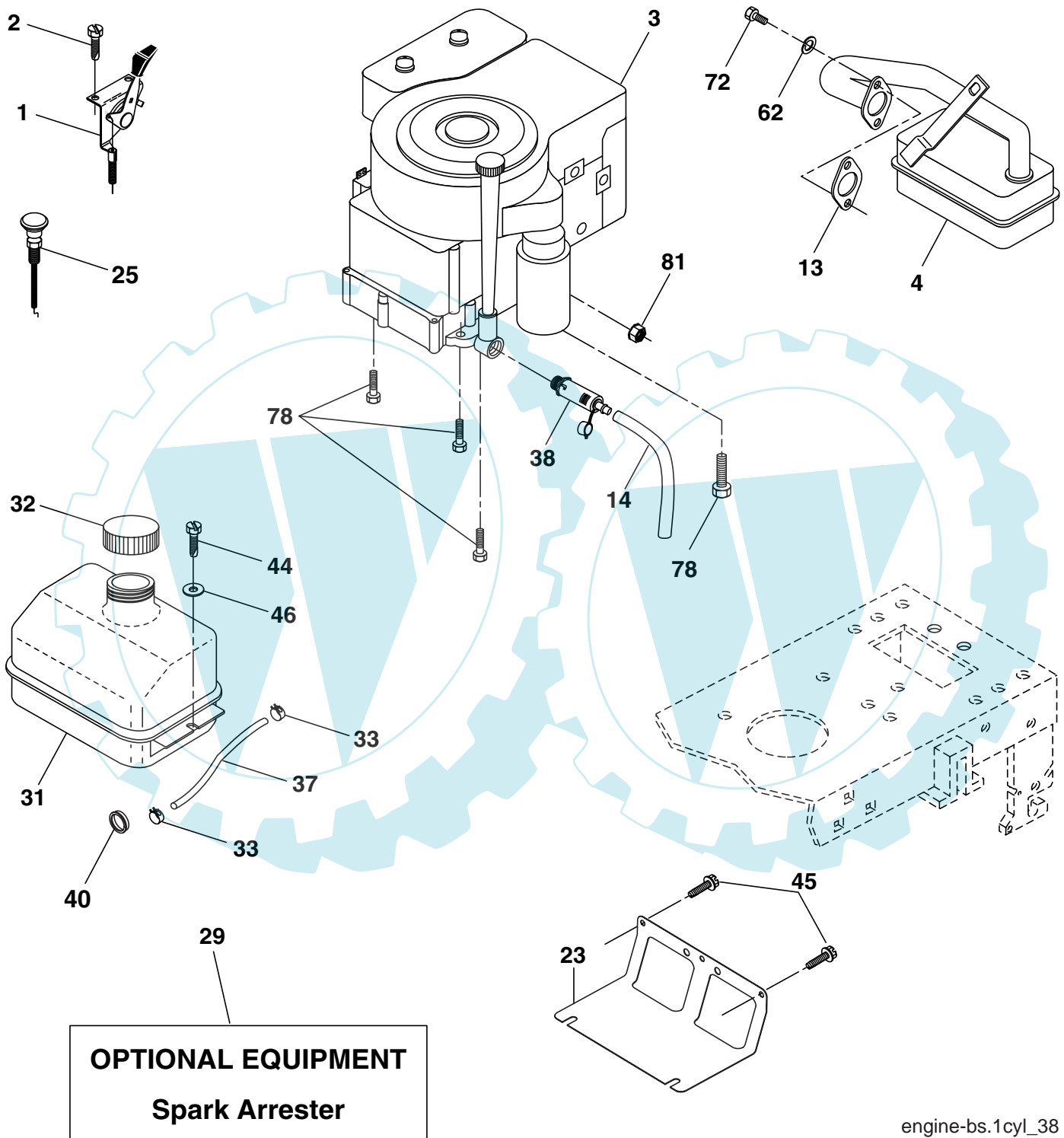


| KEY NO. | PART NO. | DESCRIPTION |
|---------|--------------|----------------------------------|
| 1 | 532 18 67-80 | Wheel Steering |
| 2 | 532 17 51-31 | Axle Asm |
| 3 | 532 16 98-40 | Spindle Asm LH |
| 4 | 532 16 98-39 | Spindle Asm RH |
| 5 | 532 12 49-31 | Bearing Race Thrust Harden |
| 6 | 532 12 17-48 | Washer 25/32 x 1-5/8 x 16 Ga. |
| 7 | 819 27 20-16 | Washer 27/32 x 1-1/4 x 16 Ga. |
| 8 | 812 00 00-29 | Ring Klip #t5304-75 |
| 9 | 532 12 49-37 | Bearing Col Strg Blk |
| 10 | 532 17 51-21 | Link Drag |
| 11 | 810 04 06-00 | Washer Lock Hvy Hlcl Spr 3/8 |
| 12 | 873 94 08-00 | Nut Hex Jam Toplock 1/2-20 |
| 13 | 532 13 65-18 | Spacer earing Axle Front |
| 15 | 532 14 52-12 | Hexflange Lock |
| 17 | 532 18 06-41 | Shaft Asm Strg |
| 26 | 532 12 68-47 | Bushing Link Drag Blk LR |
| 28 | 819 13 14-16 | Washer 13/32 x 7/8 x 16 Ga. |
| 29 | 817 00 06-12 | Screw 3/8-16 x 3/4 |
| 30 | 876 02 04-12 | Pin Cotter 1/8 x 3/4 Cad |
| 32 | 532 19 27-57 | Rod Tie Wire Form 19 75 Mech |
| 36 | 532 15 50-99 | Bushing Strg 5/8 Id Dash |
| 37 | 532 15 29-27 | Screw |
| 38 | 532 19 29-16 | Cap Wheel Steer |
| 39 | 819 18 38-12 | Washer 9/16 ID x 2-3/8OD 12 Ga. |
| 40 | 873 54 06-00 | Nut Crownlock 3/8-24 |
| 41 | 532 18 67-37 | Adaptor Wheel Strg |
| 42 | 532 16 96-33 | Boot Steering |
| 43 | 532 12 17-49 | Washer 25/32 x 1 1/4 x 16 Ga. |
| 44 | 532 18 06-40 | Extension Steering |
| 46 | 532 12 12-32 | Cap Spindle Fr Top Blk |
| 47 | 532 18 32-26 | Fitting Grease |
| 51 | 873 54 04-00 | Nut Crownlock 1/4-28 |
| 54 | 871 13 04-20 | Bolt Hex 1/4-28unf x 1-1/4 Gr. 8 |
| 65 | 532 16 03-67 | Spacer Brace Axle |
| 67 | 872 11 06-18 | Bolt RdHd Sqnk 3/8-16 x 2-1/4 |
| 68 | 532 16 98-27 | Brace Axle |
| 71 | 532 17 51-46 | Steering Asm |
| 82 | 532 16 98-35 | Bracket Susp Chassis Front |
| 88 | 532 17 51-18 | Bolt shoulder 7/16-20 |
| 91 | 532 17 55-53 | Clip Steering |
| 95 | 532 18 89-67 | Washer Hardened |

NOTE: All component dimensions given in U.S. inches
1 inch = 25.4 mm.

REPAIR PARTS

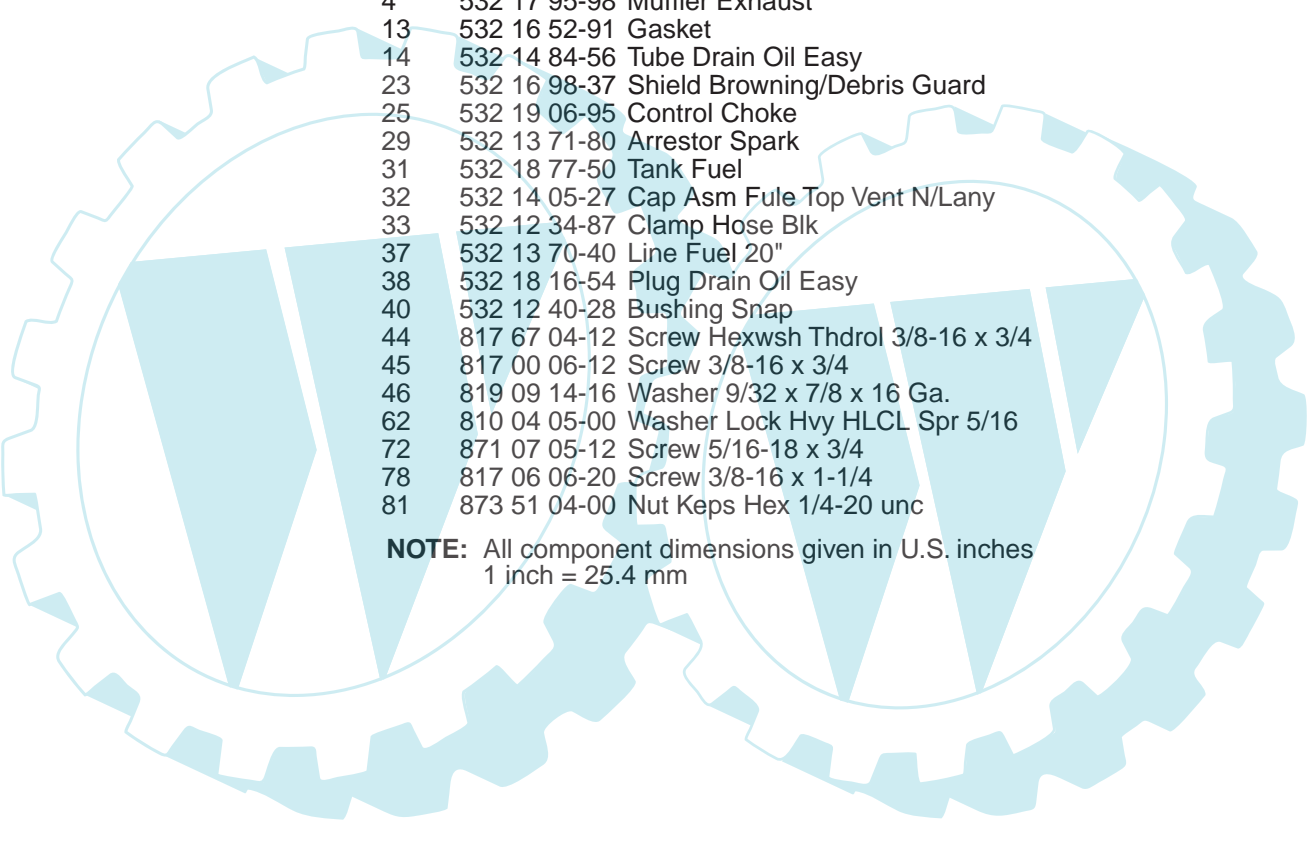
TRACTOR-MODEL NUMBER RE135B92 (96011006300), PRODUCT NO. 954 12 00-70
ENGINE



engine-bs.1cyl_38

REPAIR PARTS

TRACTOR-MODEL NUMBER RE135B92 (96011006300), PRODUCT NO. 954 12 00-70
ENGINE

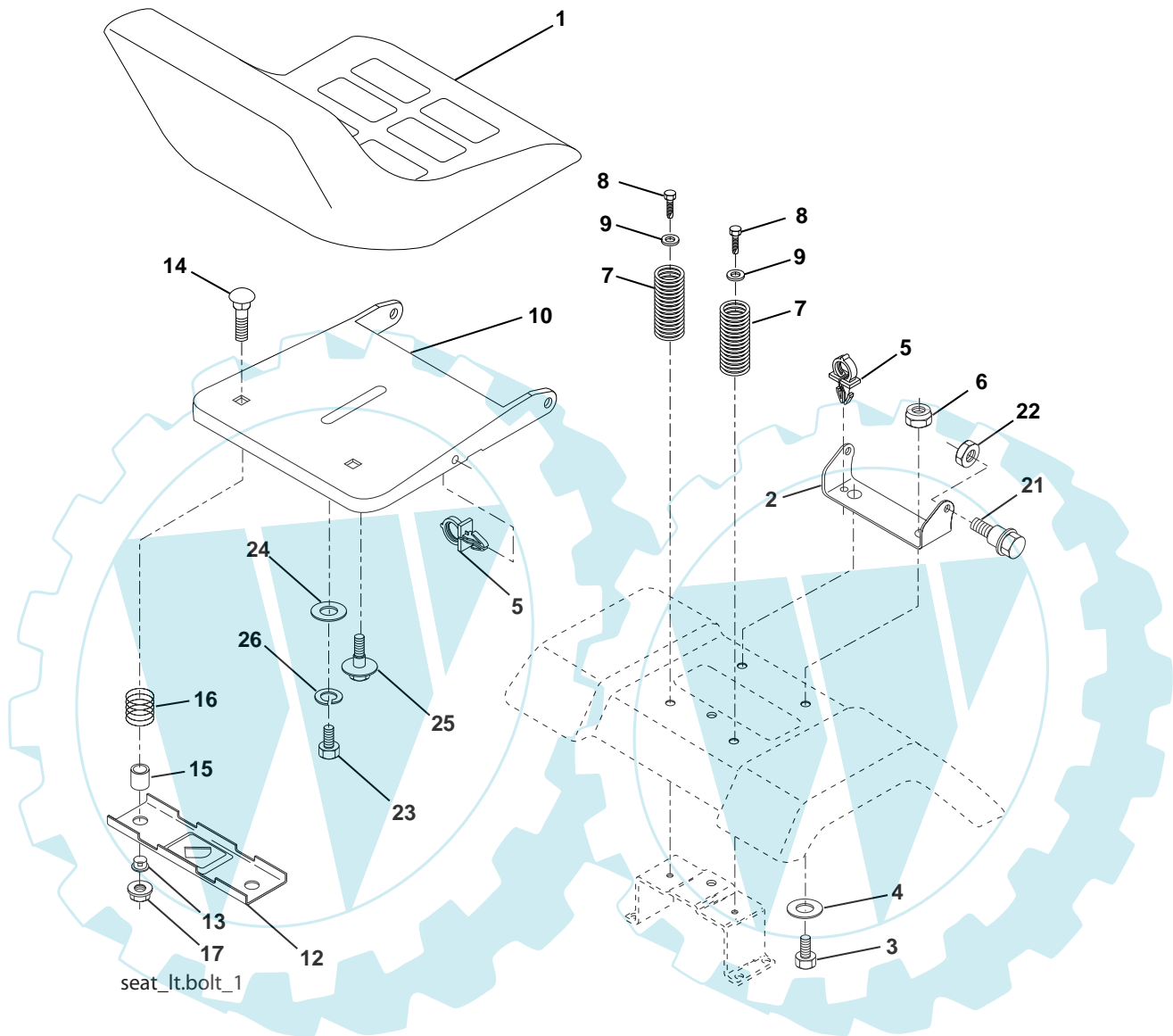


| KEY NO. | PART NO. | DESCRIPTION |
|---------|--------------|--|
| 1 | 532 17 05-51 | Control Throttle /Choke |
| 2 | 817 72 04-08 | Screw Hex Thd Cut 1/4-20 x 5/8 T |
| 3 | ----- | Engine Briggs Model 21B807 (Order Parts from Engine Manufacturer) |
| 4 | 532 17 95-98 | Muffler Exhaust |
| 13 | 532 16 52-91 | Gasket |
| 14 | 532 14 84-56 | Tube Drain Oil Easy |
| 23 | 532 16 98-37 | Shield Browning/Debris Guard |
| 25 | 532 19 06-95 | Control Choke |
| 29 | 532 13 71-80 | Arrestor Spark |
| 31 | 532 18 77-50 | Tank Fuel |
| 32 | 532 14 05-27 | Cap Asm Fule Top Vent N/Lany |
| 33 | 532 12 34-87 | Clamp Hose Blk |
| 37 | 532 13 70-40 | Line Fuel 20" |
| 38 | 532 18 16-54 | Plug Drain Oil Easy |
| 40 | 532 12 40-28 | Bushing Snap |
| 44 | 817 67 04-12 | Screw Hexwsh Thdrol 3/8-16 x 3/4 |
| 45 | 817 00 06-12 | Screw 3/8-16 x 3/4 |
| 46 | 819 09 14-16 | Washer 9/32 x 7/8 x 16 Ga. |
| 62 | 810 04 05-00 | Washer Lock Hvy HLCL Spr 5/16 |
| 72 | 871 07 05-12 | Screw 5/16-18 x 3/4 |
| 78 | 817 06 06-20 | Screw 3/8-16 x 1-1/4 |
| 81 | 873 51 04-00 | Nut Keps Hex 1/4-20 unc |

NOTE: All component dimensions given in U.S. inches
1 inch = 25.4 mm

REPAIR PARTS

TRACTOR-MODEL NUMBER RE135B92 (96011006300), PRODUCT NO. 954 12 00-70
SEAT



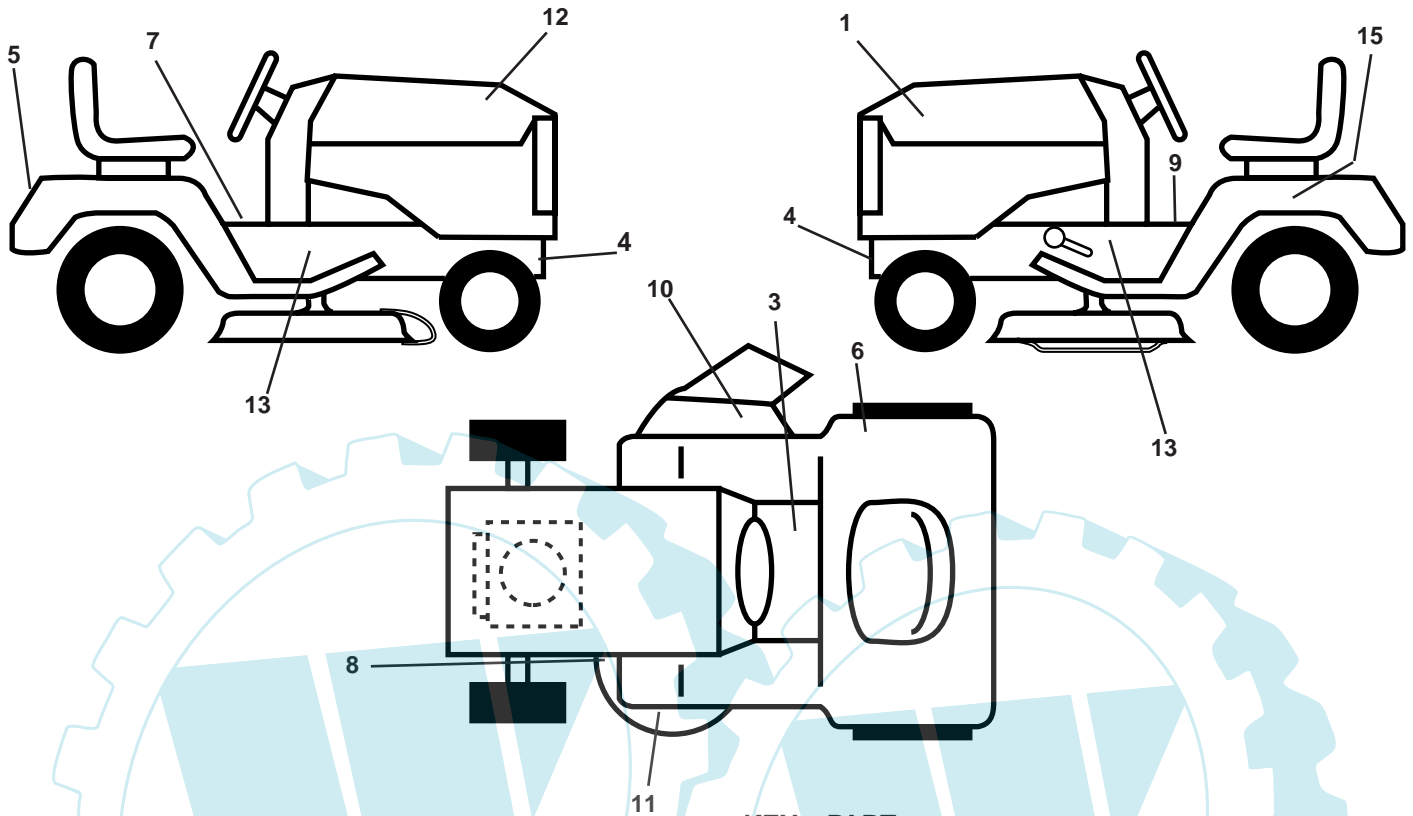
| KEY NO. | PART NO. | DESCRIPTION |
|---------|--------------|--------------------------------|
| 1 | 532 17 53-89 | Seat |
| 2 | 532 14 05-51 | Bracket Seat Pivot |
| 3 | 871 11 06-16 | Bolt Hex 3/8 - 16 x 1 |
| 4 | 819 13 16-10 | Washer 13/32 x 1 x 10 Ga. |
| 5 | 532 14 50-06 | Clip Push-In Hinged |
| 6 | 873 80 06-00 | Nut Lock Hex w/Ins 3/8 - 16 |
| 7 | 532 12 41-81 | Spring Seat Cprsn 2 250 Blk Zi |
| 8 | 817 00 06-16 | Screw 3/8-16 x 1.5 |
| 9 | 819 13 16-14 | Washer 13/32 x 1 x 14 Ga. |
| 10 | 532 18 24-93 | Pan Pnt Seat (Blk) |
| 12 | 532 12 12-46 | Bracket Pnt Mounting Switch |
| 13 | 532 12 12-48 | Bushing Snap Blk Nyl |

| KEY NO. | PART NO. | DESCRIPTION |
|---------|--------------|------------------------------------|
| 14 | 872 05 04-12 | Bolt Rdhd Sht Nk 1/4 - 20 x 1 -1/2 |
| 15 | 532 13 43-00 | Spacer Split .28 x .96 |
| 16 | 532 12 12-50 | Spring Cprsn |
| 17 | 532 12 39-76 | Nut Lock 1/4 Lge Flg |
| 21 | 532 17 18-52 | Bolt Shoulder 5/16-18 unc-2A |
| 22 | 873 80 05-00 | Nut Lock Hex w/Ins 5/16 - 18 |
| 23 | 871 11 08-14 | Bolt Hex Black |
| 24 | 819 17 19-12 | Washer 17/32 x 1-3/16 x 12 Ga. |
| 25 | 532 12 70-18 | Bolt Shoulder 5/16-18 x .62 |
| 26 | 810 04 08-00 | Washer Lock Hvy Hlcl Spr 1/2 |

NOTE: All component dimensions given in U.S. inches
1 inch = 25.4 mm.

REPAIR PARTS

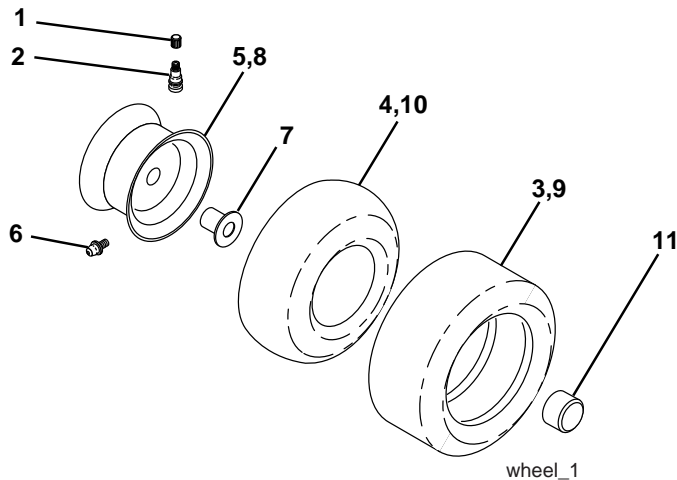
TRACTOR-MODEL NUMBER RE135B92 (96011006300), PRODUCT NO. 954 12 00-70
DECALS



| KEY NO. | PART NO. | DESCRIPTION |
|---------|--------------|----------------------------|
| 1 | 532 18 76-21 | Decal, Hood LH |
| 3 | 532 15 97-37 | Decal, Brake/Clutch |
| 4 | 532 15 97-36 | Decal, Hot Muffler |
| 5 | 532 18 11-46 | Decal, Fender |
| 6 | 532 18 04-32 | Decal, DB/CE |
| 7 | 532 14 54-98 | Decal, Read Owner's Manual |
| 8 | 532 13 68-32 | Decal, V-Belt Sch. |
| 9 | 532 14 08-37 | Decal, Parking Brake |

| KEY NO. | PART NO. | DESCRIPTION |
|---------|--------------|-------------------------------|
| 10 | 532 18 21-66 | Decal, Cut Finger |
| 11 | 532 13 49-99 | Decal, Deck Enviro |
| 12 | 532 18 76-20 | Decal, Hood |
| 13 | 532 19 49-96 | Decal, Chassis 96cm 5sp |
| 15 | 532 14 50-05 | Decal, Caution, Battery |
| -- | 532 16 25-98 | Decal, Drawbar |
| -- | 532 13 83-11 | Decal, Handle Lft Height Adj. |
| -- | 532 18 51-49 | Manual, Operator's, Euro |
| -- | 532 19 52-56 | Manual Parts |

WHEELS & TIRES

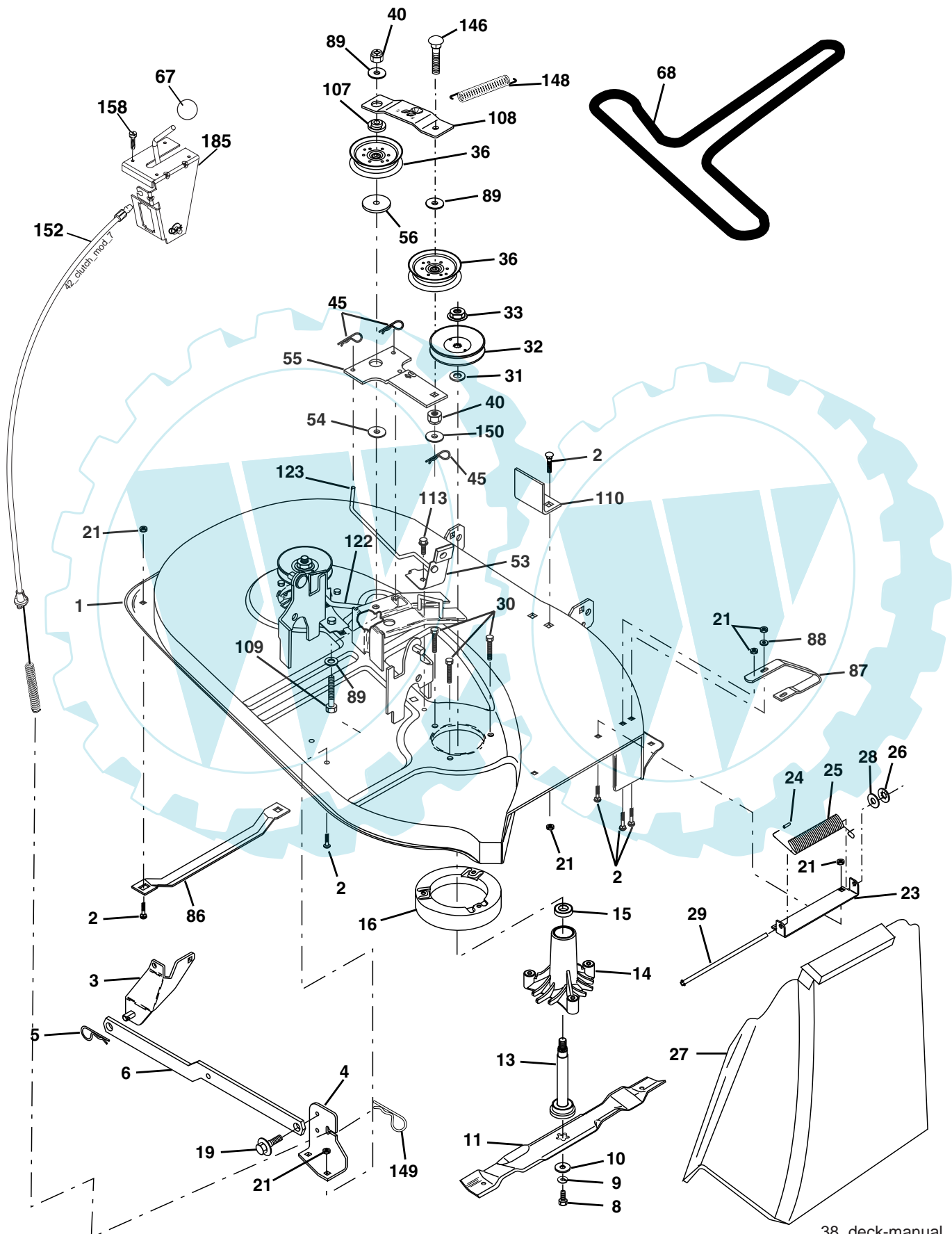


| KEY NO. | PART NO. | DESCRIPTION |
|---------|--------------|------------------------------------|
| 1 | 532 05 91-92 | Cap, Tire valve |
| 2 | 532 06 51-39 | Stem, Valve |
| 3 | 532 12 41-57 | Tire, Front |
| 4 | 532 05 99-04 | Tube, Front (Service item only) |
| 5 | 532 18 33-37 | Rim assembly, 6" front |
| 6 | 532 12 49-57 | Fitting, Grease (Front wheel only) |
| 7 | 532 12 49-59 | Bearing, Flange (Front wheel only) |
| 8 | 532 18 33-38 | Rim assembly, 8" rear |
| 9 | 532 12 39-69 | Tire, Rear |
| 10 | 532 12 49-26 | Tube, Rear (Service item only) |
| 11 | 532 17 50-39 | Cap, Hub Axle |
| -- | 532 14 43-34 | Sealant, Tire (10 oz. Tube) |

NOTE: All component dimensions given in U.S. inches
1 inch = 25.4 mm

REPAIR PARTS

TRACTOR-MODEL NUMBER RE135B92 (96011006300), PRODUCT NO. 954 12 00-70
MOWER DECK



38_deck-manual_2

REPAIR PARTS

TRACTOR-MODEL NUMBER RE135B92 (96011006300), PRODUCT NO. 954 12 00-70
MOWER DECK

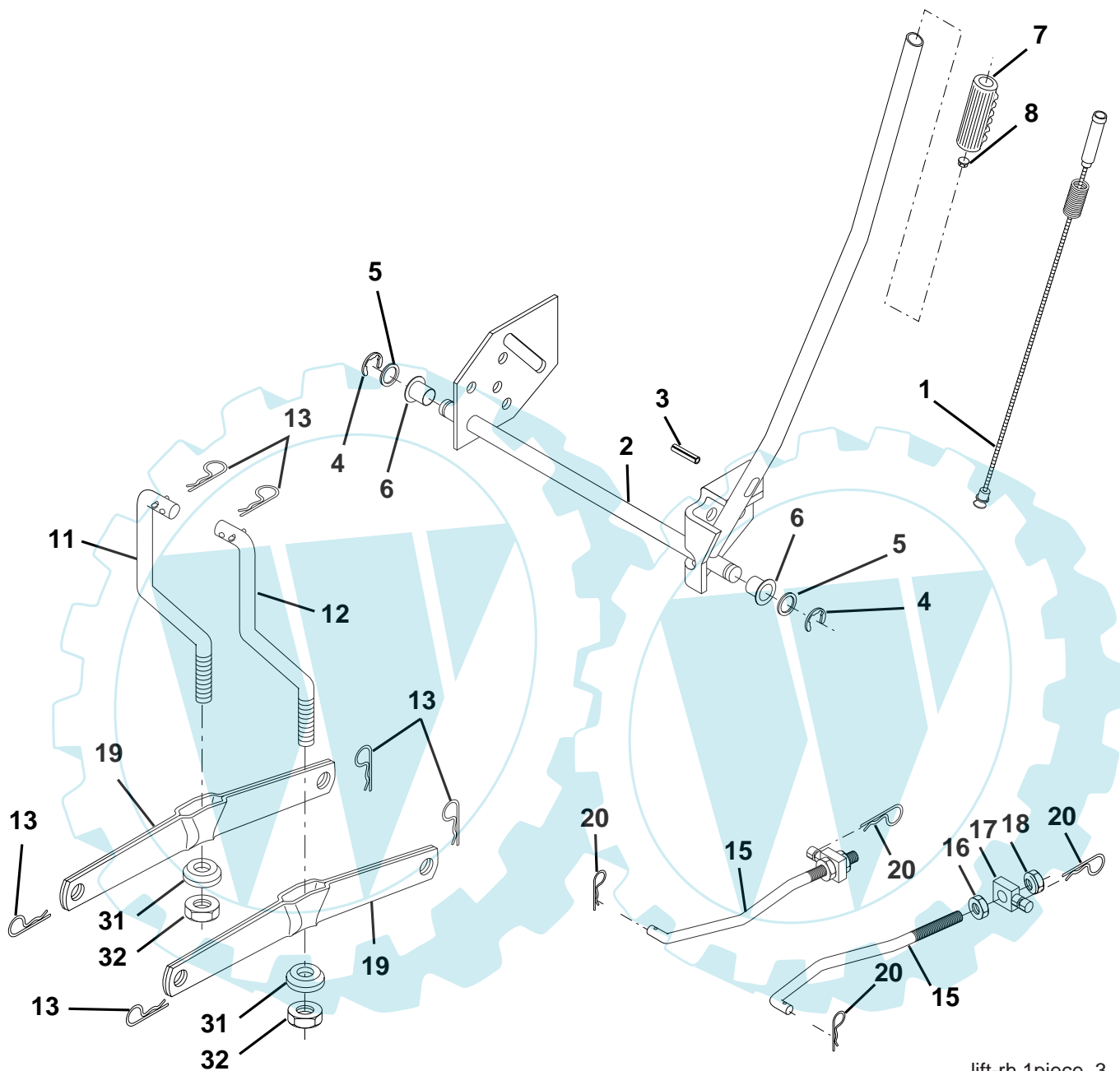
| KEY NO. | PART NO. | DESCRIPTION | KEY NO. | PART NO. | DESCRIPTION |
|---------|--------------|--|---------|--------------|---|
| 1 | 532 17 02-80 | Mower Housing Assembly | 54 | 532 17 85-15 | Washer, Hardened |
| 2 | 872 14 05-06 | Bolt Carriage 5/16-18 x 3/4 | 55 | 532 13 38-40 | Idler Arm Assembly |
| 3 | 532 13 80-17 | Bracket Asm Fr. Sway Bar | 56 | 532 16 57-23 | Spacer, Retainer |
| 4 | 532 16 99-70 | Bracket Deck Sway Bar 38"/42" | 67 | 532 10 69-32 | Knob |
| 5 | 532 12 46-70 | Retainer Spring | 68 | 532 18 02-14 | V-Belt |
| 6 | 532 17 80-24 | Sway Bar Deck | 86 | 532 12 50-74 | Runner, LH |
| 8 | 532 85 08-57 | Bolt 3/8-24 x 1.25 Gr. 8 | 87 | 532 12 87-72 | Runner, RH |
| 9 | 810 03 06-00 | Washer, Lock 3/8 | 88 | 819 11 12-16 | Washer 11/32 x 3/4 x 16 Ga. |
| 10 | 532 14 02-96 | Washer, Hardened | 89 | 819 13 13-11 | Washer 13/32 x 13/16 x 11 Ga. |
| 11 | 532 13 84-97 | Blade Mower | 96 | 874 93 06-20 | Bolt 3/8-16 x 1-1/4 |
| 13 | 532 13 76-45 | Shaft Assembly, Mandrel, Vented (Includes Key Number 6) | 97 | 873 93 06-00 | Nut Centerlock 3/8-16 unc |
| 14 | 532 12 87-74 | Housing, Mandrel, Vented | 107 | 532 13 35-02 | Spacer Retainer |
| 15 | 532 11 04-85 | Bearing, Ball, Mandrel | 108 | 532 13 35-03 | Stiffener, Idler Arm |
| 16 | 532 17 44-93 | Stripper, Mower Deck | 109 | 874 76 06-40 | Bolt, Hex Hd 3/8-16 x 2-1/2 |
| 19 | 532 13 28-27 | Bolt, Shoulder | 110 | 532 14 25-87 | Upstop Deck Front 38" |
| 21 | 873 68 05-00 | Nut | 113 | 817 06 05-12 | Screw 5/16-1/ x 3/4 |
| 23 | 532 13 76-07 | Bracket, Mower Deflector | 122 | 532 13 12-89 | Rod, Brake LH |
| 24 | 532 10 53-04 | Cap, Sleeve | 123 | 532 16 99-71 | Rod, Brake RH |
| 25 | 532 12 37-13 | Spring, Torsion, Deflector | 146 | 532 16 58-91 | Bolt Carriage Idler |
| 26 | 532 11 04-52 | Nut, Push | 148 | 532 16 90-22 | Spring Return Idler |
| 27 | 532 17 59-43 | Shield, Deflector | 149 | 532 16 58-98 | Retainer Spring Yellow |
| 28 | 819 11 10-16 | Washer 11/32 x 5/8 x 16 Ga. | 150 | 819 09 12-10 | Washer 9/32 x 3/4 x 10 Ga. |
| 29 | 532 10 67-35 | Rod, Hinge | 152 | 532 17 27-58 | Clutch Cable |
| 30 | 532 17 39-84 | Screw Thdrol. Hex | 158 | 817 72 04-08 | Screw Hex Thd Cut 1/4-20 x 5/8 |
| 31 | 532 18 76-90 | Washer, Spacer | 185 | 532 18 82-34 | Head Asm. Cable Clutch |
| 32 | 532 15 35-32 | Pulley, Mandrel | -- | 532 13 07-94 | Mandrel Assembly (Includes Housing, Shaft, and Shaft Hardware Only - Pulley Not Included) |
| 33 | 532 17 83-42 | Nut, Toplock | -- | 532 18 13-80 | Mower Replacement, Complete |
| 36 | 532 13 14-94 | Pulley, Idler, Flat | | | |
| 40 | 873 68 06-00 | Nut, Crownlock 3/8-16 unc | | | |
| 45 | 532 12 47-88 | Retainer | | | |
| 53 | 532 13 08-40 | Brake Assembly | | | |

NOTE: All component dimensions given in U.S. inches
1 inch = 25.4 mm

REPAIR PARTS

TRACTOR-MODEL NUMBER RE135B92 (96011006300), PRODUCT NO. 954 12 00-70

MOWER LIFT

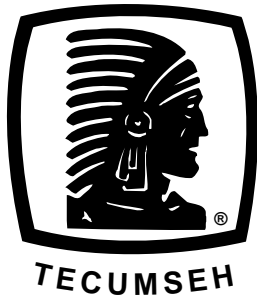


lift-rh.1piece_3

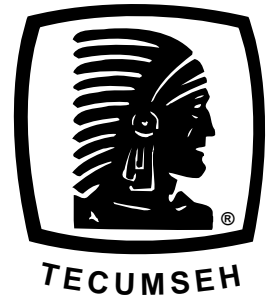
| KEY NO. | PART NO. | DESCRIPTION |
|---------|--------------|-------------------------------|
| 1 | 532 15 94-61 | Wire Asm Inner/Sprg w/plunger |
| 2 | 532 15 94-76 | Shaft Asm Lift RH |
| 3 | 532 18 88-22 | Pin Groove |
| 4 | 812 00 00-02 | E Ring #5133-62 |
| 5 | 819 21 16-21 | Washer 21/32 x 1 x 21 Ga |
| 6 | 532 12 01-83 | Bearing Nylon Blk 629 Id |
| 7 | 532 10 94-13 | Grip Handle Bicycle Matte Blk |
| 8 | 532 12 45-26 | Button Plunger Black |
| 11 | 532 13 98-65 | Link Lift LH Fixed Length |
| 12 | 532 13 98-66 | Link Lift RH Fixed Length |
| 13 | 532 12 46-70 | Retainer Spring |

| KEY NO. | PART NO. | DESCRIPTION |
|---------|--------------|--------------------------|
| 15 | 532 17 32-88 | Link Front |
| 16 | 873 35 08-00 | Nut Jam Hex 1/2-13 Unc |
| 17 | 532 17 56-89 | Trunnion |
| 18 | 873 80 08-00 | Nut Lockw/Wsh 1/2-13 Unc |
| 19 | 532 13 98-68 | Arm Suspension Rear |
| 20 | 532 16 35-52 | Retainer, Spring |
| 31 | 532 16 98-65 | Bearing Pvt Lift |
| 32 | 873 54 06-00 | Nut Crownlock 3/8-24 |

NOTE: All component dimensions given in U.S. inches
1 inch = 25.4 mm.



SERVICE POLICY WARRANTY



Issued January 1980
Revised January 1991

LIMITED WARRANTIES FOR NEW PEERLESS GEAR POWER TRAIN COMPONENTS

A. Products Warranted

Peerless Gear and Machine Division of Tecumseh Products Company ("Tecumseh"), subject to the limitations contained below, will, at its option, repair or replace, without charge for parts or labor only, any part of a new Power Train Component (which as used herein means and includes the transaxle, gear box, transmission, differential and right angle drives, and any part of the Power Train Component), EXCEPT any new Power Train Component incorporated in equipment used for commercial or rental purposes, which is found upon examination by any Tecumseh Authorized Service Outlet or by Tecumseh's factory in Grafton, Wisconsin, to be DEFECTIVE IN MATERIAL AND/OR WORKMANSHIP if received by Tecumseh or a Tecumseh Authorized Service Outlet for such examination within TWO YEARS from the date of sale to the original consumer purchaser of Peerless Series 820, 900, 910, 915, 920, 930 transaxles and Series 1100 angle drive and ONE YEAR for all other Peerless products. New Power Train Components incorporated in equipment used for commercial purposes are warranted in the same manner and to the same extent EXCEPT such Power Train Components are warranted for NINETY (90) DAYS ONLY, and must be received by Tecumseh or by a Tecumseh Authorized Service Outlet for such examination within 90 days from the date of sale to the original purchaser. New Power Train Components Incorporated in equipment used for rental purposes are warranted in the same manner and to the same extent EXCEPT such Power Train Components are warranted for THIRTY (30) DAYS ONLY, and must be received by Tecumseh or a Tecumseh Authorized Service Outlet within 30 days from the date of sale to the original purchaser.

B. Products And Items Not Warranted

1. Alterations or Modifications of Power Train Components.
2. Accidents, Normal Maintenance, Failure to follow the Original Equipment Manufacturer's Manual.

This warranty covers only parts of new Power Train Components which are found upon examination to be defective in material or workmanship as delivered to the original purchaser. This warranty does not cover defects caused by depreciation or damage caused by normal wear, accidents, improper maintenance, improper use or abuse of the product, failure to follow the instructions contained in an Instruction Manual for the operation of the Power Train Component and parts. The cost of normal maintenance and replacement of service items which are not defective shall be paid for by the original purchaser.

C. Securing Warranty Service

Warranty service can be arranged for by contacting either a Tecumseh Authorized Service Outlet (any Tecumseh Registered Service Dealer, Tecumseh Authorized Service Distributor, or Tecumseh Central Warehouse Distributor) or by contacting Tecumseh, c/o Service Manager, Engine and Transmission Group Service Division, 900 North Street, Grafton, Wisconsin 53024. Warranty service can only be performed by a Tecumseh Authorized Service Outlet or by Tecumseh at its factory in Grafton, Wisconsin. At the time of requesting warranty service, evidence must be presented of the date of sale to the original purchaser. The purchaser shall pay any charges for making service calls and/or for transporting the product to and from the place where the inspection and/or warranty work is performed. The purchaser shall be responsible for any damage or loss incurred in connection with the transportation of Power Train Components and/or part(s) of the Power Train Components submitted for inspection and/or warranty work.

D. Limitation of Damages and Implied Warranties

The foregoing EXPRESSED WARRANTY IS IN LIEU OF ALL OTHER EXPRESS WARRANTIES. Neither Tecumseh nor any of its affiliates makes any warranties, representations or promises, written or oral, as to the quality of the Power Train Component or any of its parts, other than as set forth herein.

ANY IMPLIED WARRANTY OF MERCHANTABILITY OR FITNESS FOR A PARTICULAR PURPOSE, TO THE EXTENT THAT EITHER MAY APPLY TO ANY PART(S) OF POWER TRAIN COMPONENTS, SHALL BE LIMITED IN DURATION TO THE PERIODS OF THE EXPRESSED WARRANTIES DEFINED IN PARAGRAPH A HEREOF. IN NO EVENT WILL TECUMSEH BE LIABLE FOR ANY INCIDENTAL, CONSEQUENTIAL OR SPECIAL DAMAGES AND/OR EXPENSES. Some states do not allow limitations on how long an implied warranty lasts or the exclusion or limitation of incidental or consequential damages, so the above limitation(s) or exclusion(s) may not apply to you. This warranty gives you specific legal rights and you may also have other legal rights which vary from state to state.

E. No Dealer Warranty

Tecumseh neither assumes nor authorizes any other person, natural or corporate, to assume for Tecumseh any other obligations or liabilities in connection with or with respect to any part(s) of a Power Train Component. The seller or dealer of part(s) of a Power Train Component has no authority, whatsoever, to make any representations or promises on behalf of Tecumseh or to modify the terms or limitations of Tecumseh's warranty in any way.



Rally

Ihr Ersatzteilspezialist im Internet